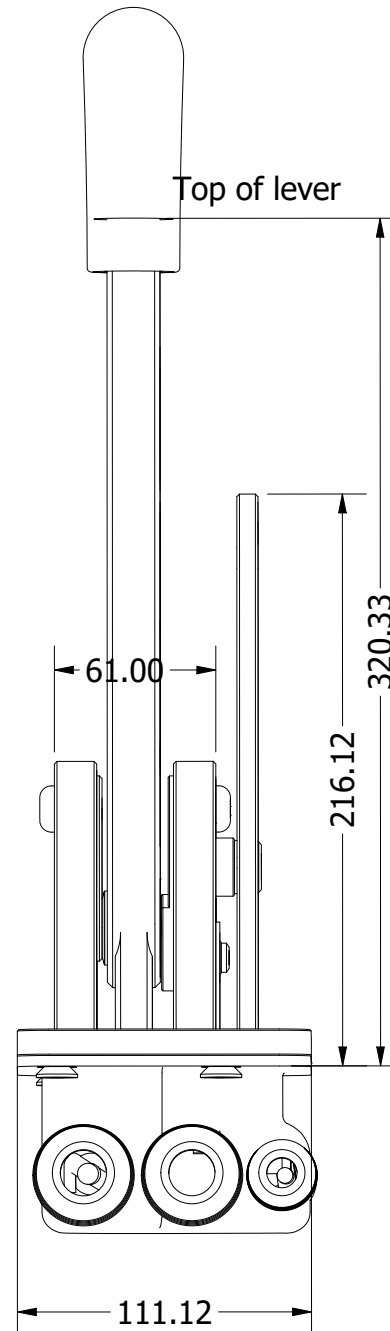
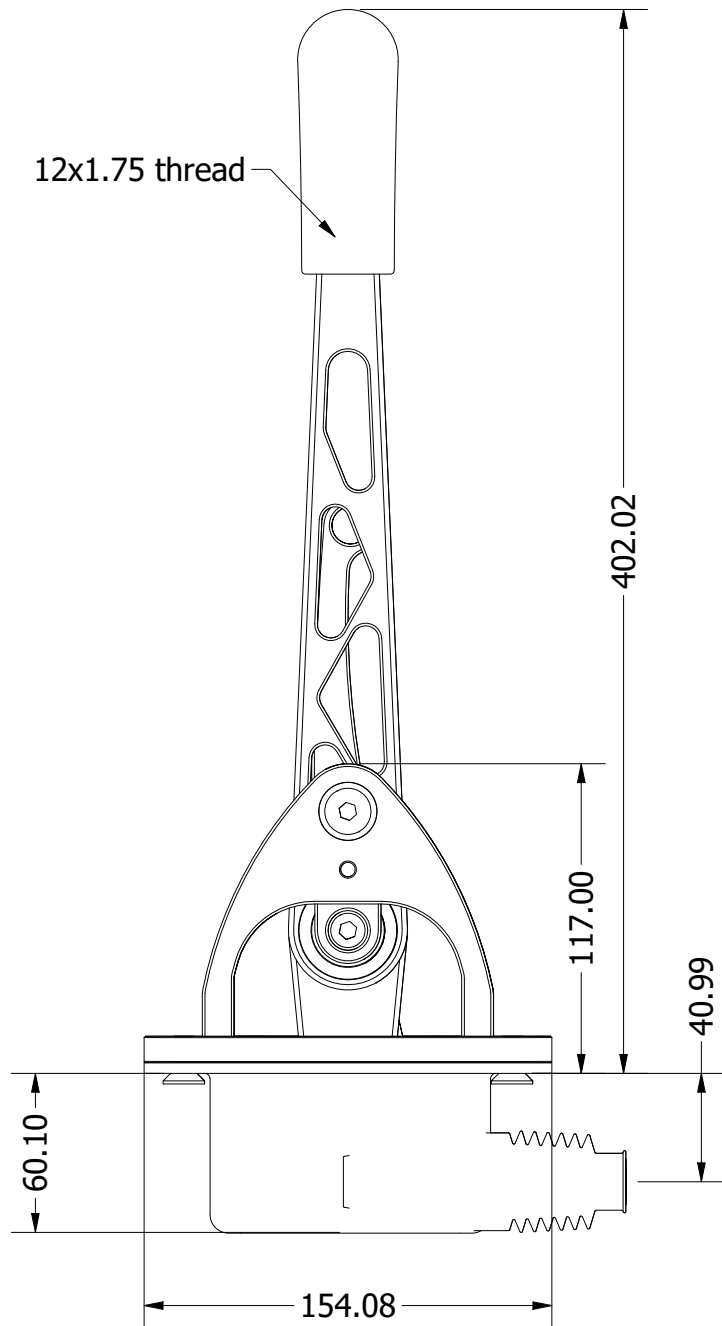


High mount sequential lever



A floating pivot is used in this shifter allowing it to be mounted to the floor yet have no movement of the shift knob from drivetrain movement.

This lever is for use with our remote mount sequential conversion unit for T-56 & Tr-6060 although it may be useful in other applications.

S1 SEQUENTIAL